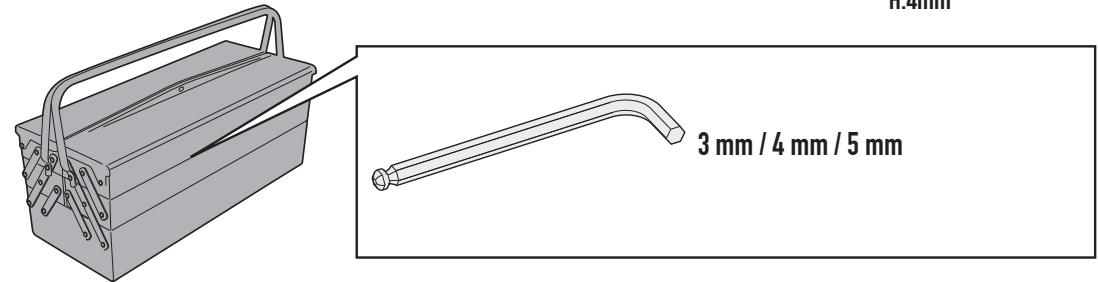
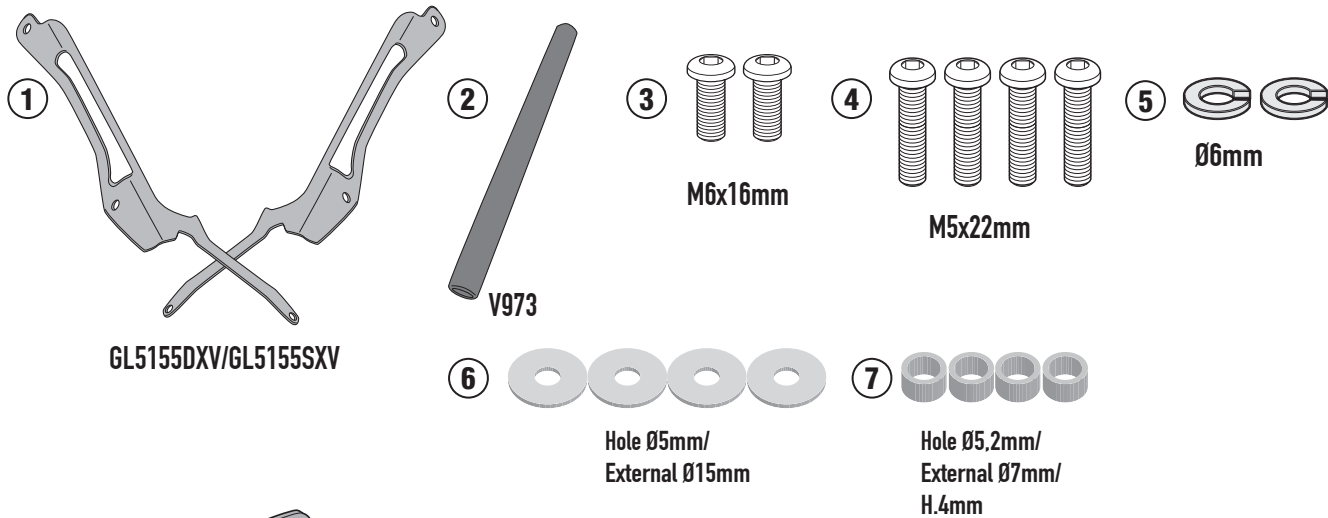


FB6422 - KFB6422

Traversino - Fairing upper bracket - Support gps pour carenage - Barra
 Halterung zur montage am windschild - Suporte
TRIUMPH TIGER 1200 GT (2022)

N°	Descrizione/Description	Caratteristiche/Features	Codice/Code	Quantità/Quantity
1	Supporto laterale - Lower frame Support latéral - Soporte lateral Untere Halterung - Suporte lateral	-	GL5155DXV GL5155SXV	2 (Right/Left)
2	Supporto - Support - Support Halterung - Soporte - Apoio	-	V973	1
3	Vite - Screw Vis - Schraube Tornillo - Parafuso	TBEIFF M6x16	616TBEIFF	2
4	Vite - Screw Vis - Schraube Tornillo - Parafuso	TBEI M5x22	522TBEI	4
5	Rondella spaccata - Split washer Scheibe - Rondelle fendue Arandela seccionada - Arruela quebrada	Foro Ø6mm	Z1063	2
6	Rondella - Washer Rondelle - Scheibe Arandela - Arruela	Foro Ø5mm Esterno Ø15mm	515RON	4
7	Distanziale - Spacer Entretoise - Distanzstueck Distanciador - Espaçador	Ø7x4 Foro 5.2mm	C7L4F5.20X	4
8	Componenti Originali - Original Parts Parties Originales - Original Bauteile Componentes Originales - Componentes Originais	-	-	-



FB6422 - KFB6422
Traversino - Fairing upper bracket - Support gps pour carenage - Barra
Halterung zur montage am windschild - Suporte
TRIUMPH TIGER 1200 GT (2022)

